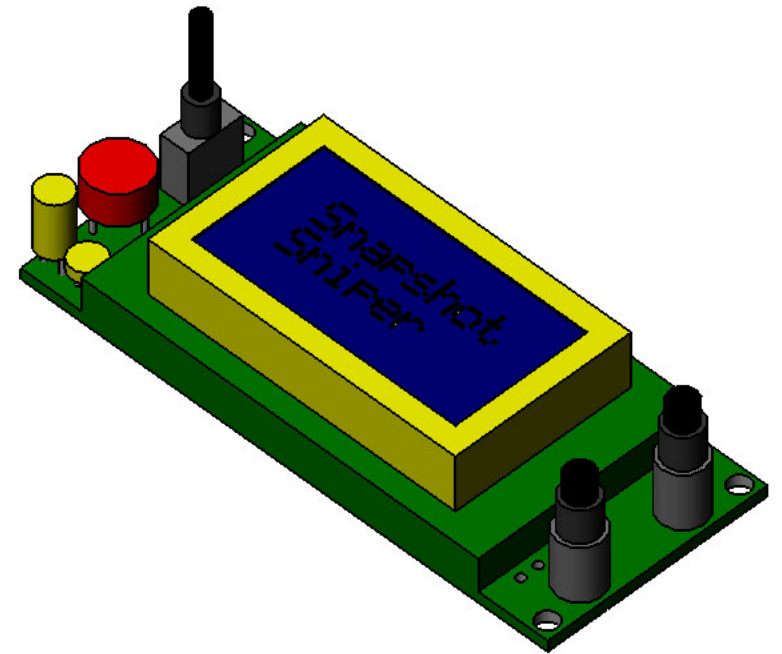
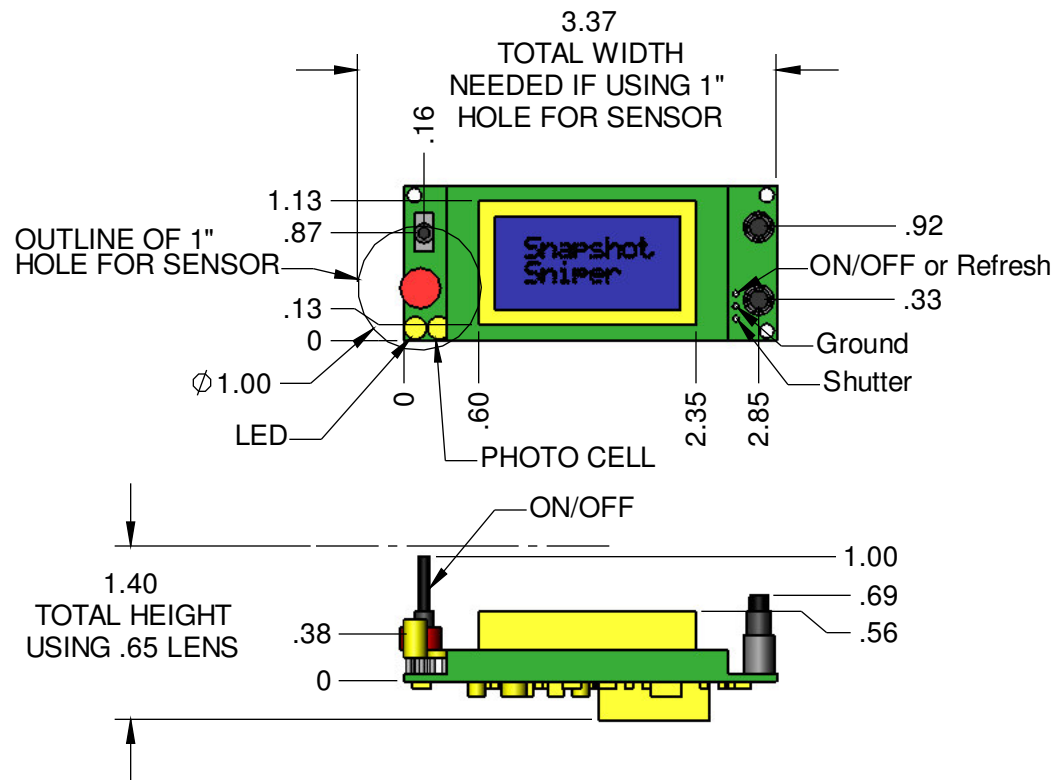


SENSOR ON BACK

- FEATURES**
- THE EASIEST SETUP AROUND "LEAVE THE INSTRUCTIONS IN THE BOX!"
 - YOUR NAME AND NUMBER CAN BE DISPLAYED AT POWER UP
 - 5 DELAY MODES FROM 10 SECONDS TO 30 MINUTES
 - WALK TEST MODE
 - DAY ONLY, DARK ONLY OR 24 HOUR MODE
 - HIGH, MEDIUM OR LOW SENSITIVITY SETTINGS
 - DOUBLE PICTURE MODE
 - MOVIE MODE



SENSOR ON FRONT

